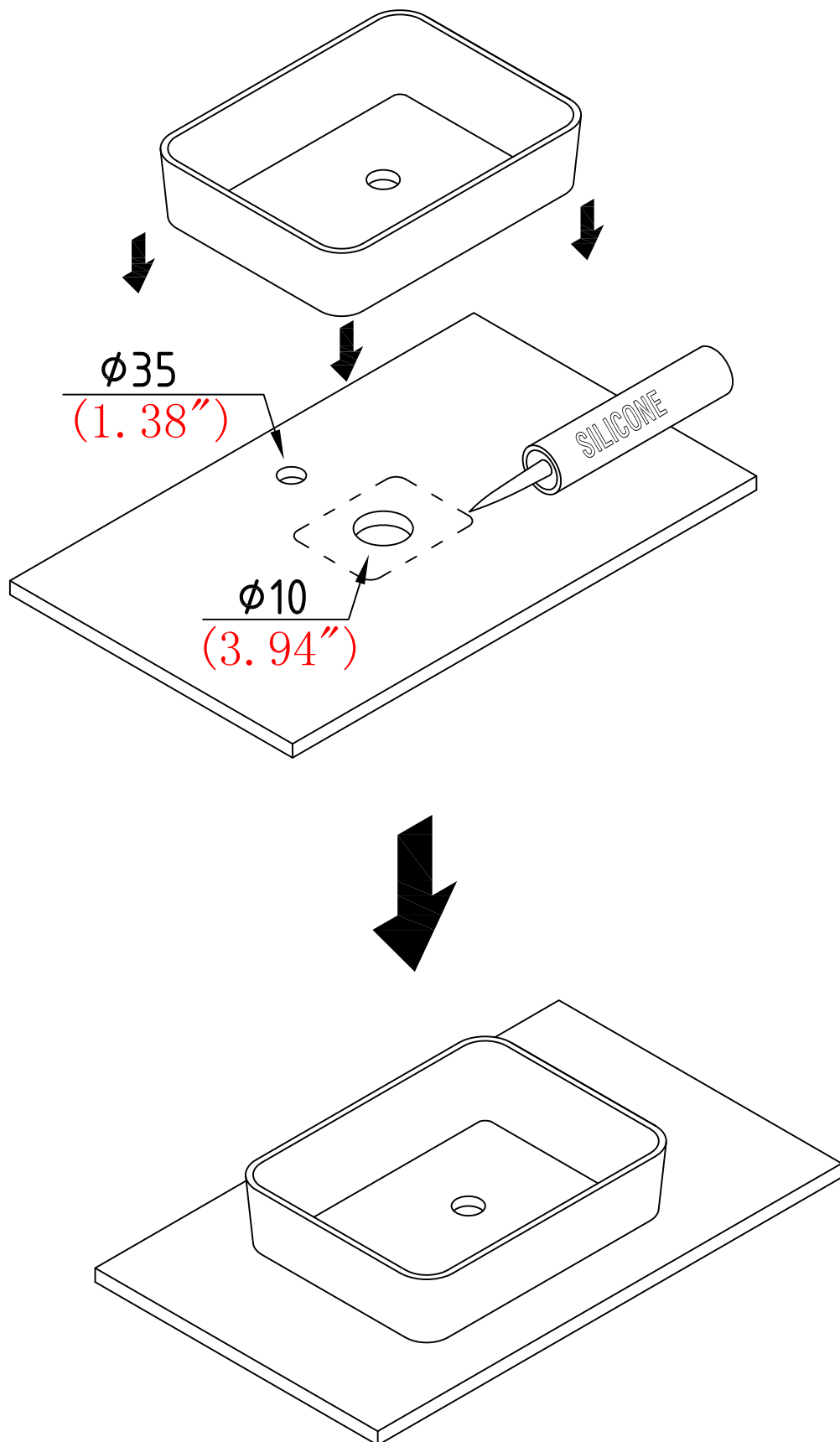


# Assembly Instruction



# Mounting a Vessel Sink

1. **Before you begin**, make sure you have the correct vessel sink drain. If the sink you bought has an overflow, then you will need to make sure you get a vessel sink drain with an overflow (PU11PC). A sink without an overflow will require a vessel sink drain without an overflow (PU22PC).
2. **Position the sink.** Mount the vessel directly onto the countertop. Align it with the drain opening on the countertop. Having a helper to hold the vessel sink is a good idea, if you don't have a second set of hands, you should hold the vessel with one hand while you anchor the drain.
3. **Connect the drain:** Apply Plumber's putty to the part of the drain that goes into the sink or if the drain comes with a foam or rubber gasket for the top that will work as well. Drop the top part of the drain into the sink making sure to center it and check that if there is any lettering, it is straight. Under the sink use pipe joint compound or some other sort of lubricant on the part of the rubber seal that sits on the sink or the countertop. Put the rubber seal onto the drain first and push it up as far as you can. After the rubber seal is in place, put the friction ring in place followed by the mounting nut. Hand-tighten the nut from under the counter. You can use pliers or similar tool to finish tightening the mounting nut onto the sink but be very careful to not over tighten as this can damage the vessel sink.
4. **Note:** Silicone should be used to attach and secure the vessel to the counter.

**Connect the drain trap:** Now that the vessel sink drain is installed up you can connect the trap to the drain. The 1 1/4" drain coming from the vessel sink should fit onto a 1 1/2" trap like any other drain trap installation. This is done using a reducing washer to go from 1 1/2" to 1 1/4".

**Test for leaks:** After all connections are made to test the drain thoroughly for leaks. First, run water into the sink and check for leaks under the sink. If there are no leaks under normal running conditions, fill the sink all the way up, so you give it a good volume test.